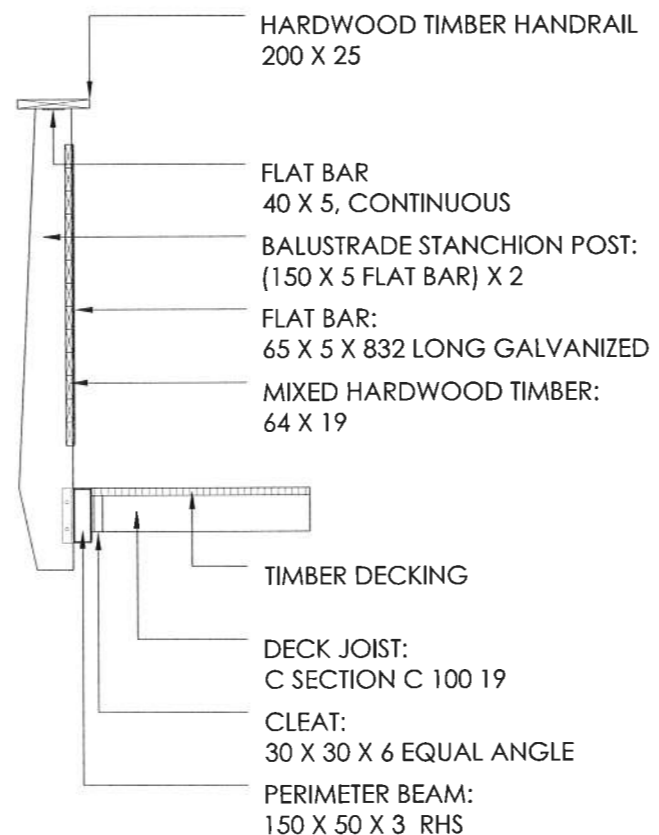
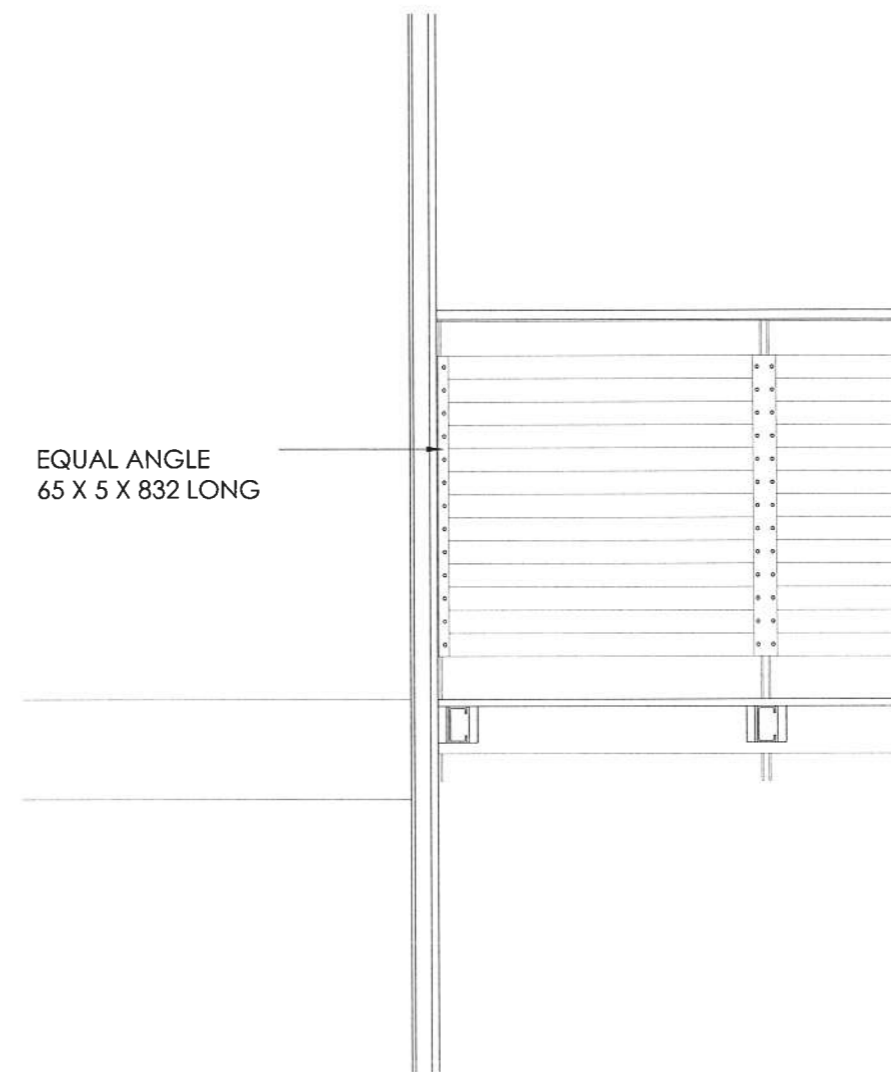


C O R N E R D E T A I L



S E C T I O N V I E W



W A L L J U N C T I O N

NOTES

ALL CONSTRUCTION DETAILS TO BE
CONFIRMED BY THE ENGINEER.

STRATEGIC DESIGN

Building Designers to the Snowy Mountains
P O Box 803 Jindabyne NSW 2627 T 02 6457 2780 F 02 6457 1588
info@strategicdesign.net.au www.strategicdesign.net.au

'ATHOL LODGE'

7 DIGGINGS TERRACE, THREDBO ALPINE VILLAGE
Proposed Alterations & Additions

Drawing Title

BALUSTRADE DETAILS 2



30 JAN 2014

DEVELOPMENT ASSESSMENT AND
SYSTEMS PERFORMANCE
RECEIVED - JINDABYNE

This drawing at all times
remains the copyright of
Strategic Design

Drawing No	SK12- DA	Scheme One				
Date	JANUARY 2014	Scale	1:20 @ A3			
Revision	5	00	01	02	03	04 05
Drawn	LP	Checked	LP	Approved	NW	Status